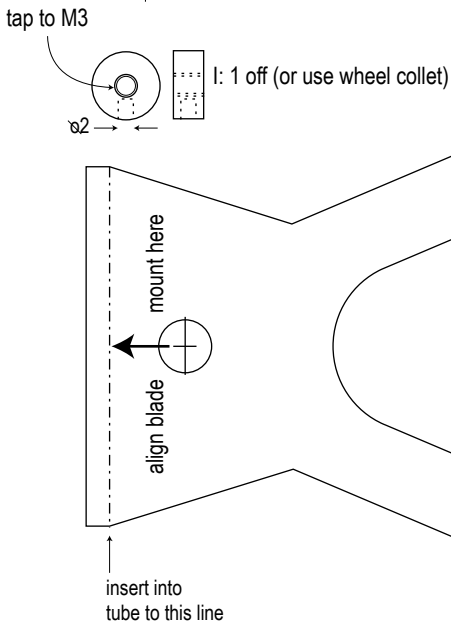
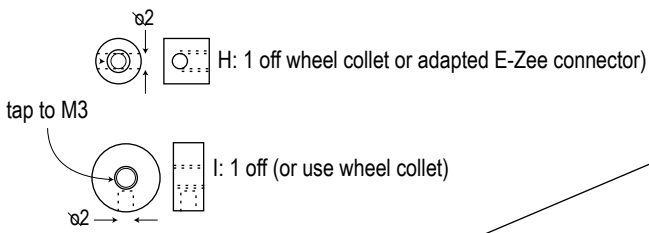
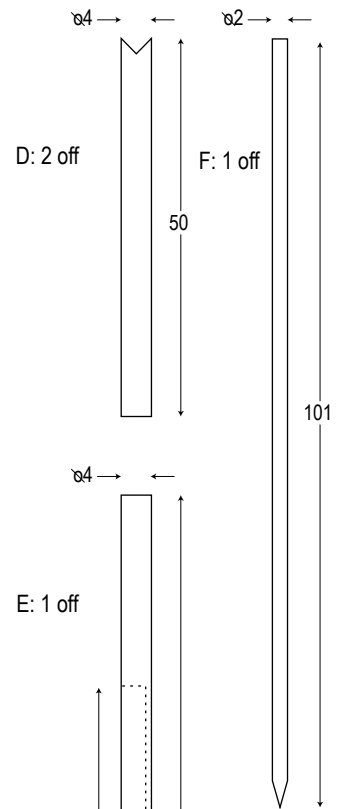
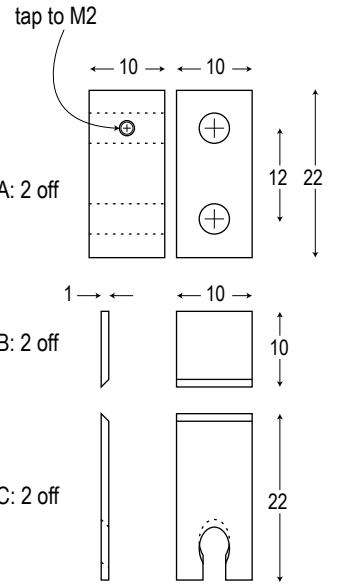
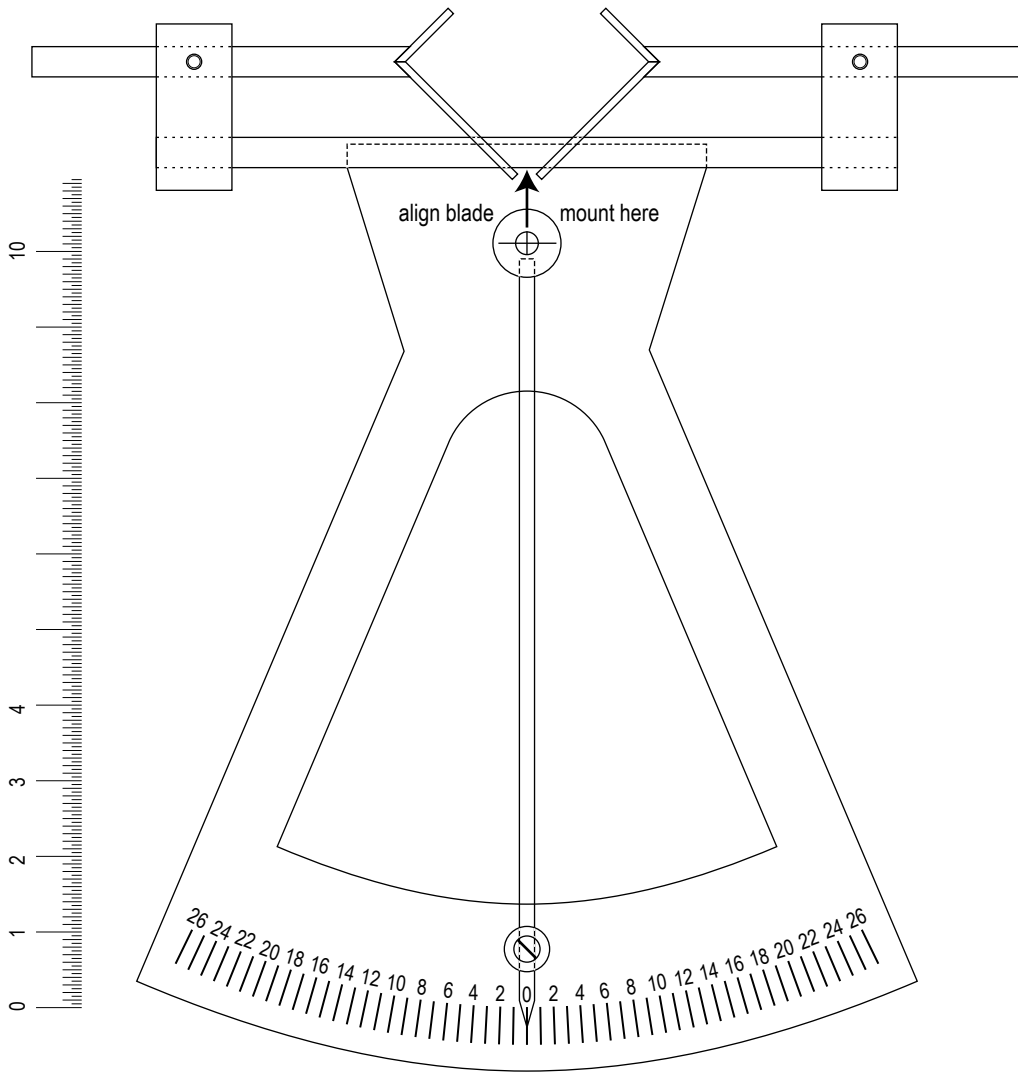


ALL DIMENSIONS IN MM - SCALE 1:1



*divSed*